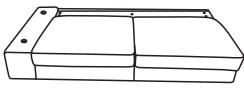
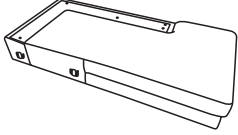

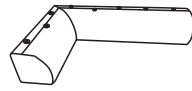

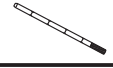



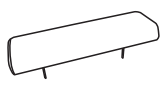
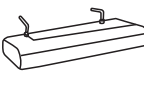
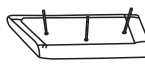
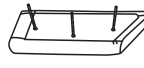

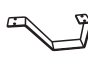





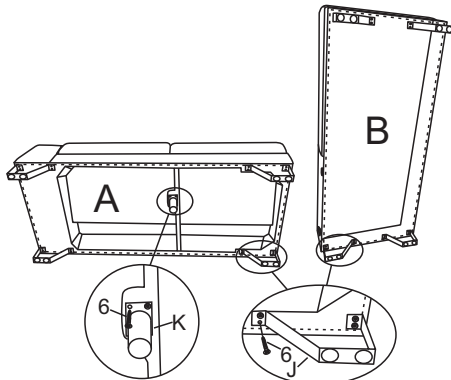
# Assembly instructions

## PART LIST

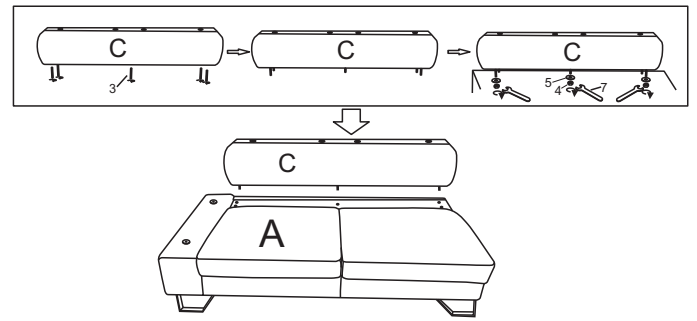
				1		6PCS			
AX1	BX1	CX1	DX1	2		2PCS			
				3		10PCS			
				4		10PCS			
				5		10PCS			
							6		36PCS
EX1	FX2	GX1	HX1	IX1	JX8	KX1	7		1PCS

## ASSEMBLY FOLLOW BELOW STEPS

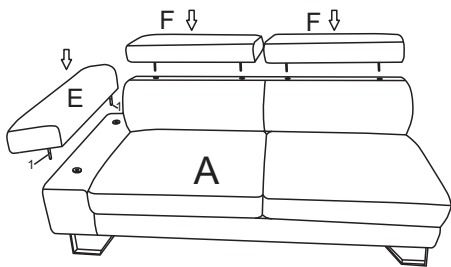
### STEP 1



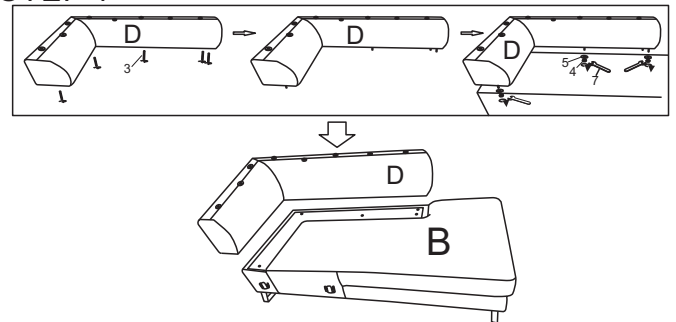
### STEP 2



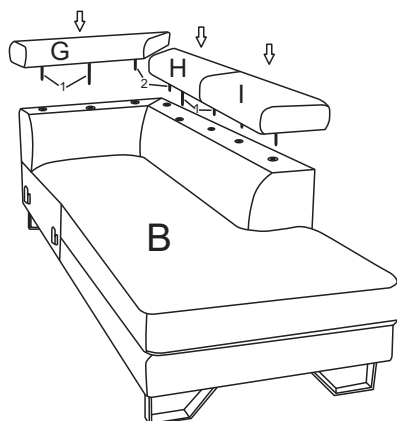
### STEP 3



### STEP 4



### STEP 5



### STEP 6

